



MODEL
MCJ-A

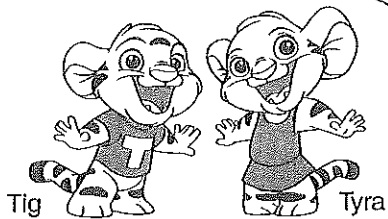
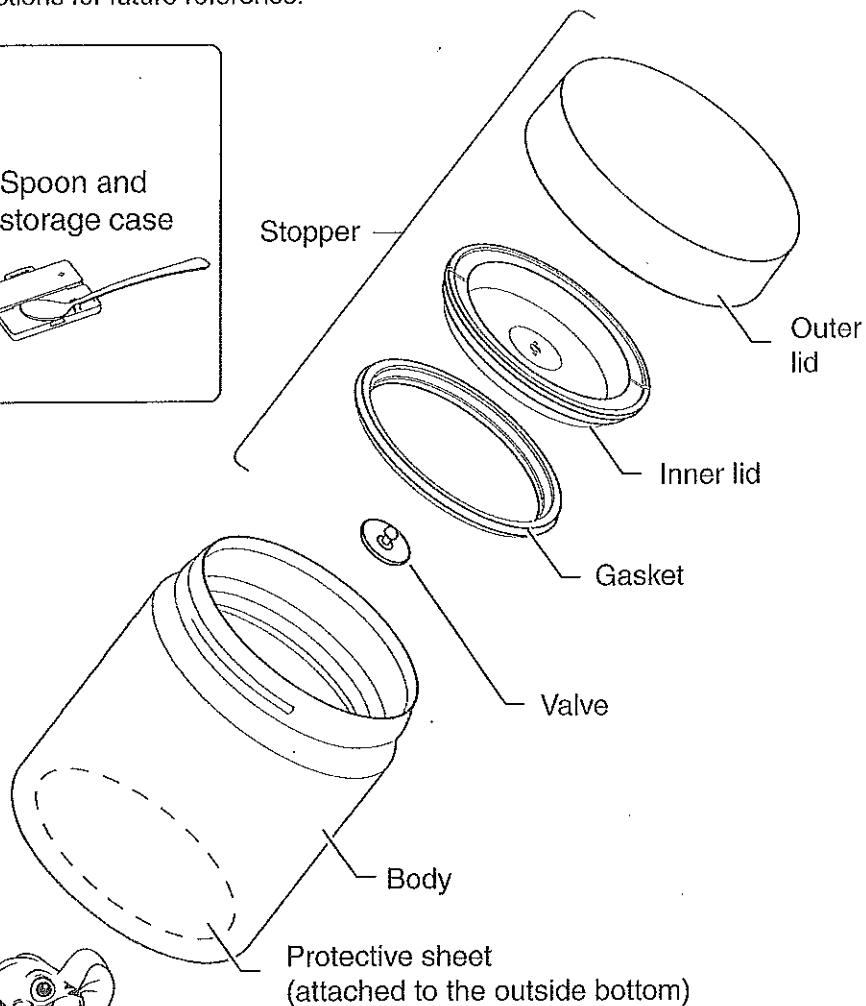
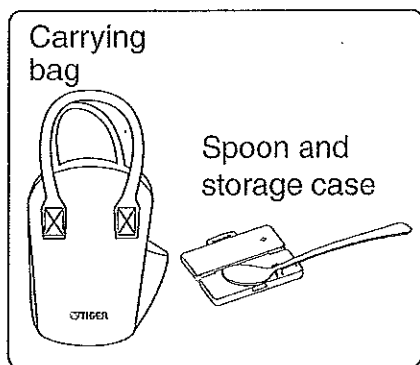
Stainless Steel Food Jar

Instructions

Thank you for purchasing a "TIGER" Stainless Steel Food Jar.

Please read the instructions completely before use.

Keep these instructions for future reference.



© 2003 TIGER CORPORATION

Make sure that all parts are present before use.

Safety Precautions

Important!

Keep out of reach of children.

Do not allow children to play with the product.

Do not put dry ice or carbonated beverages in the product.

Consume food that is kept inside the product as soon as possible (within 6 hours).

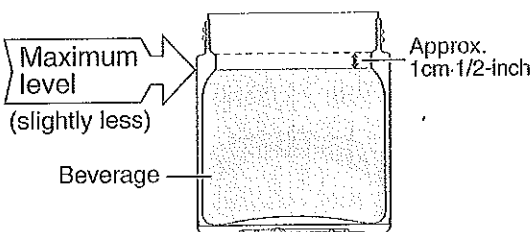
Clean the product immediately after use.

Do not store raw foods for a long period of time as they may spoil.

Do not place the product near stoves, open flames, or other sources of extreme heat.

Do not heat the product in a microwave oven.

Do not fill the product above the liquid capacity line shown below.



Be sure to set the stopper in proper position.

Consume foods within the day to prevent from spoiling.

Drink slowly when the product contains a hot beverage.

Noncompliance to these instructions may result in scald or injury.

Do not use the product if its ability to retain heat declines.

Hot food can make the product very hot, potentially causing burns.

Do not store foods including dairy products or cold soup without cooking them thoroughly.

Do not use the product for any purpose other than keeping food/beverages warm or cold.

Do not knock over, drop or expose the product to excessive shocks.

Do not disassemble or attempt to repair the product by yourself.

Be sure to clean the product immediately after use, especially after consuming sports drinks.

If adding salty foods or liquids, wash immediately after consuming.

Do not use chlorine-based bleaches or acetic acid solutions when cleaning the product.

Do not remove the protective sheet on the underside of the product.

Keep the product in an upright position at all times.

Do not leave the product in a bag for a long time.

Such stripes and waves are produced when forming resin. They cause no harm and do not affect the use of the stainless steel food jar.

Some of the color of the contents may remain on the inner lid. This does not affect the performance and safety.

How to Use

1

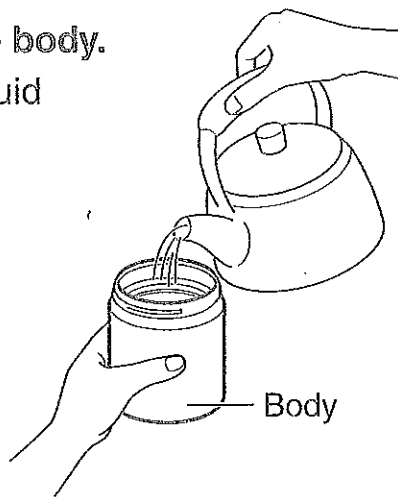
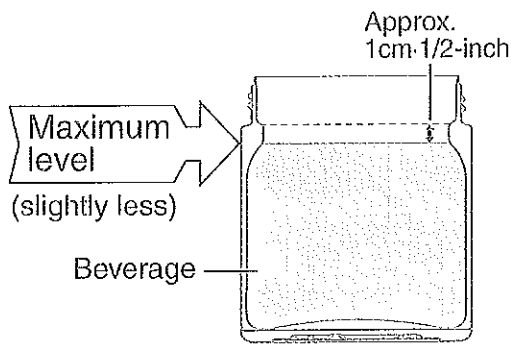
To keep your beverage warm or cool longer.

Pour hot (or cold) water into the body, and let it sit for one or two minutes to allow the inside of the body to heat (or cool). Discard the hot (or cold) water after preheating (or precooling).

2

Pour hot (or cold) food into the body.

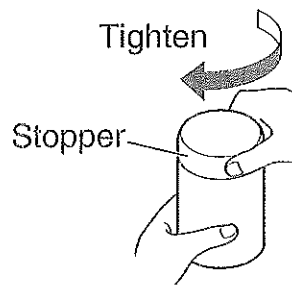
- Do not fill the jar above the liquid capacity line shown below.



3

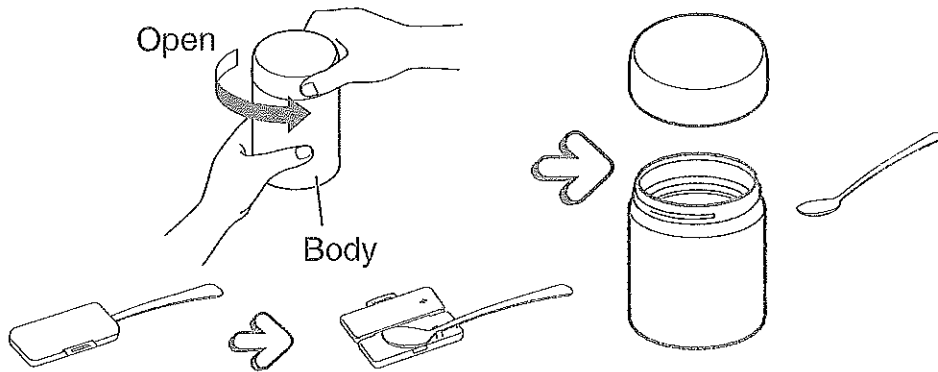
Keep the product in an upright position when you close the stopper.

- Securely close the stopper so that it cannot be turned.



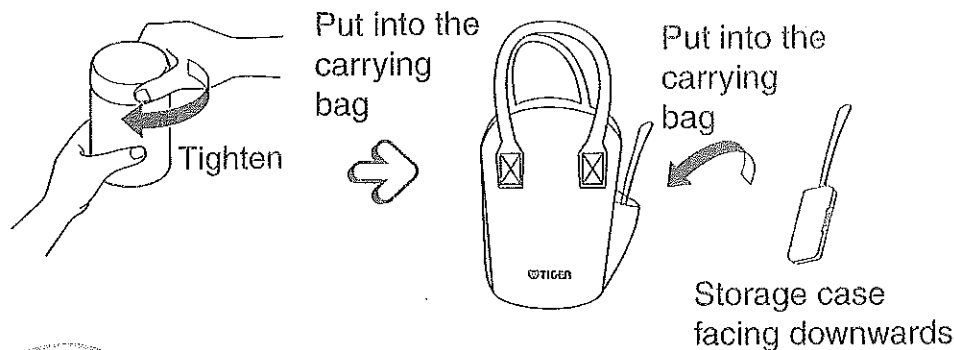
4

Take out the jar from the carrying bag, hold the body and turn the stopper to open the jar. Use the spoon from the storage case to enjoy the food/beverage.



5

After finishing the food/beverage, keep the body in an upright position and place the stopper back tightly. Put the spoon in the storage case, with the concave surface facing upwards and the spoon handle passing through the notch on the side of the storage case to keep it in place. Close the storage case and then place the jar and storage case into the carrying bag.



Caution

When placing the product into the bag, keep the body in an upright position to prevent leakage.

How to Clean

- ◆ Clean after every use.
- ◆ Use mild kitchen detergent.
- ◆ Use a sponge or soft cloth.
- ◆ Be sure to clean the stopper and gasket with every use.

If odor cannot be removed from the gasket

Odor may remain on the lid gasket depending on the contents.

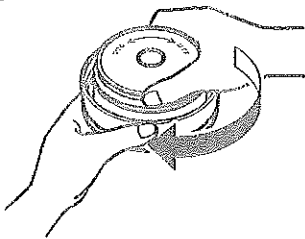
If the odor bothers you, purchase lid gaskets or stoppers for different kinds of food.
(Example: Use separate stoppers depending on the kind of soup.)→ Back cover

Caution

- Be sure to wipe off with dry cloth.
- Do not place the parts in a dishwasher/dryer, or in boiling water.

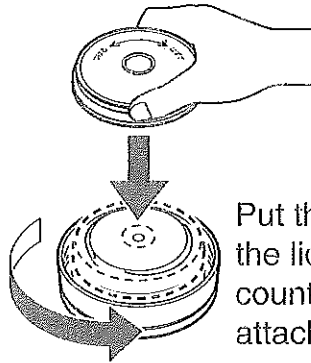
Attaching and removing the inner lid

■ To remove



Turn the inner lid clockwise, and pull it out lightly to remove it from the lid.

■ To attach



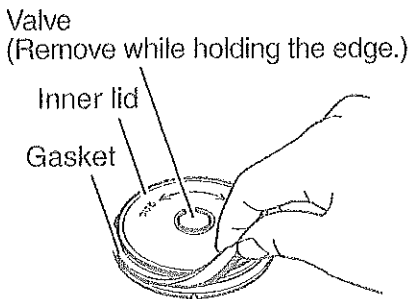
Put the inner lid on the lid, and turn it counterclockwise to attach it.

Attaching and removing the gasket and valve

Caution

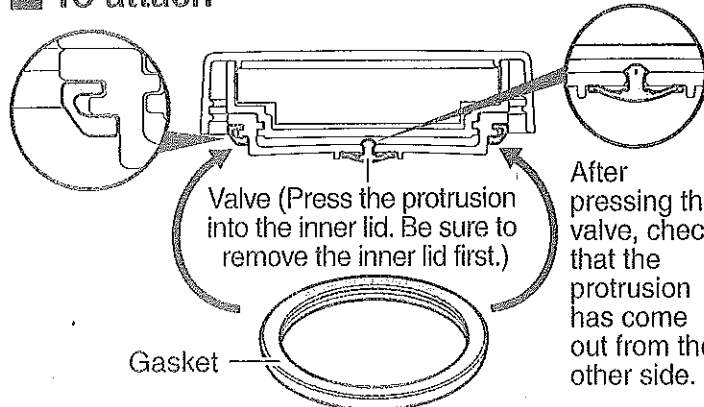
Attach the gasket and valve in the proper position and direction.
If not, the contents may leak out.

■ To remove



Hold the gasket and remove it slowly.

■ To attach



Valve (Press the protrusion into the inner lid. Be sure to remove the inner lid first.)

After pressing the valve, check that the protrusion has come out from the other side.

When attaching the gasket, make sure to fit it completely onto the inner lid while checking the position and direction.

Replacing and Purchasing Consumable Parts

The stopper, gasket, valve, and spoon are consumable parts. Check once a year for damage/deterioration. If heavily stained or loose, replace them.

For replacement parts, contact customer service or the shop where you purchased this product.

Before contacting customer service

The utmost measures have been taken to ensure the quality of this product. However, should the product be defective, contact your dealer and provide the following information.

1. Product name
2. Model number (printed on the label at the bottom)
3. Description of trouble (As detailed as possible)
4. Purchase date

Feel free to send any questions or comments about this product to the shop where you purchased it.

※ For the purpose of performance improvement, designs, specifications and parts shown in this publication are subject to change without notice.

Specifications

Capacity	Heat retention	Cold retention
0.50 liters/ 16.9 oz	Greater than 83°C·181.4°F (1 hour)	Less than 10°C· 50°F (6hours)
	Greater than 62°C·143.6°F (6 hours)	
0.75 liters/ 25.4 oz	Greater than 86°C·186.8°F (1 hour)	Less than 8°C· 46.4°F (6hours)
	Greater than 70°C·158°F (6 hours)	

※ Heat retention has been calculated under the condition of adding hot water at 95°C ±1°C·203°F ±2°F and leaving it in a room temperature of 20°C±2°C·68°F±4°F for 1hour or 6hours.

※ Cold retention has been calculated under the condition of adding cold water at 4°C±1°C·39°F±2°F and leaving it in a room temperature of 20°C±2°C·68°F±4°F for 6hours.

※ Capacity is actual volume that water can be stored into the product when the stopper is closed.



TIGER CORPORATION

Head Office: 3-1 Hayamicho, Kadoma City, Osaka 571-8571, Japan
URL : <http://www.tiger.jp/global>

TIGER HANBAI (H.K.) CO.,LTD.

Rm. 1006B, 10/FI., Join-in Hang Sing Centre, 71 - 75 Container Port Road,
Kwai Chung, N.T.

Tel: (852) 2418-0912 Fax: (852) 2418-0911

JAPAN TIGER CORPORATION OF U.S.A.

2730 Monterey Street, Suite 105 Torrance, CA 90503

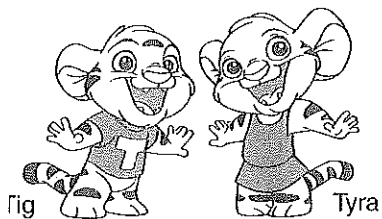
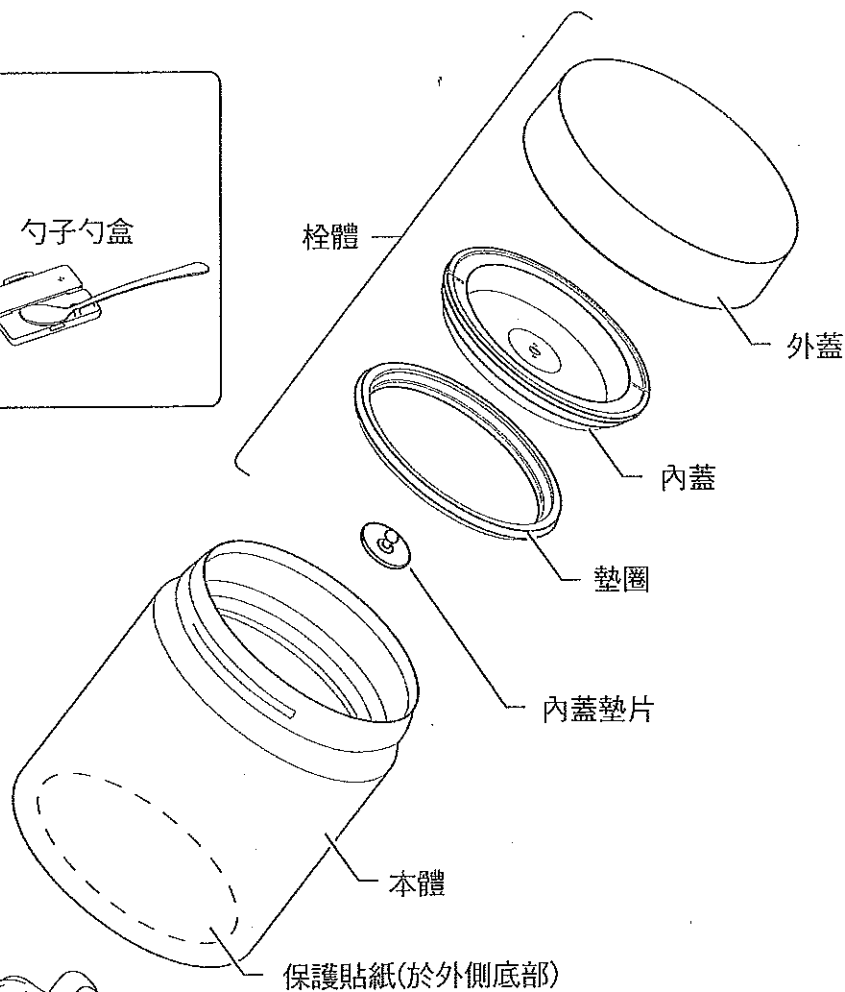
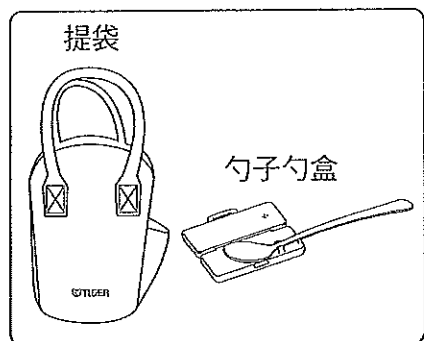
Tel: (310) 787-1985 Fax: (310) 787-1986

URL: <http://usa.tiger-corporation.com>

不銹鋼保溫保冷杯 Food jar系列

使用說明書

感謝您購買本公司產品。請在使用前，務必詳讀使用說明書，以便正確使用並請妥善保管。



安全注意事項

為避免造成受傷或灼傷，請務必遵守以下內容。

請勿置放於幼兒易拿取的地方。注意不要讓孩童玩耍或使用。

請勿裝入乾冰。碳酸飲料等。

飲食物品請盡早（6小時以內）食用。

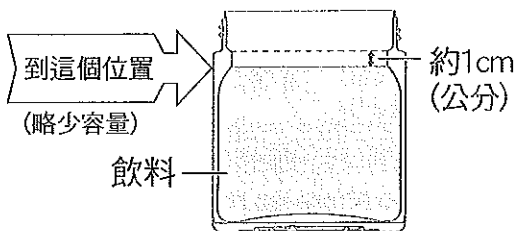
使用後請立即進行清潔保養。

請勿放入生食等易腐敗的食品。

請勿置放於瓦斯爐火及暖爐等火源高溫處。

請勿使用微波爐加熱。

加入的飲料量，請勿超過圖示所標記位置。



請確認栓體是否確實蓋緊。

為避免飲料食物腐敗，請於當日內飲用完畢。

放入熱飲時，請小心飲用。

為避免造成受傷或燙傷，請務必遵照使用說明書記載的方式使用。

當此產品的保溫能力下降，請勿使用。

若再裝入熱的飲料食物，會使本產品變熱，有可能造成燙傷的危險性。

如欲放入乳製品、調理湯包等，需事先加熱處理。

請勿使用於保溫、保冷飲料食物以外之用途。

請勿翻倒、摔落地面或撞擊等強烈衝擊。(可能造成保溫或保冷效能失效)

請勿自行拆解或修理。

若裝入運動飲料，飲用完畢後請儘速清洗。

若裝入味噌湯或濃湯等含有鹽分的湯汁時，食用完畢後請盡速清洗。

請勿使用含氯漂白劑和醋清潔本產品。

切勿撕下貼在本體底部的保護貼紙。

本體請勿橫放。

請勿將本產品長時間放置於包包或袋子中。

塑膠部分會出現線狀或波紋狀的地方，這是樹脂成形時產生的線狀和波紋狀痕跡，對於使用上的品質不會有問題。

飲料食物的顏色有可能會附著於內蓋，但對於本產品的功能性和安全性沒有影響。

使用方法

1

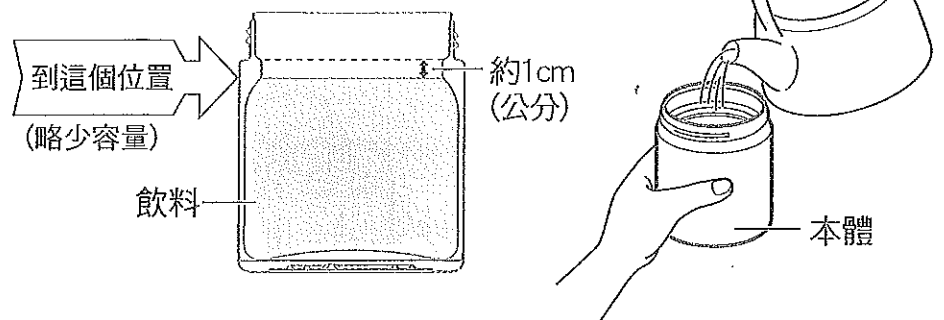
若想提升保溫(保冷)效果，可先裝入少量的熱水(冰水)後，置放1~2分鐘預熱(預冷)。

預熱(預冷)後，請將熱水(冰水)倒掉。

2

裝入冷熱飲料食物。

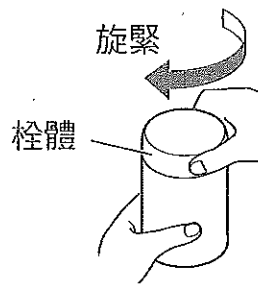
- 加入的飲料量，請勿超過圖示所標記位置。



3

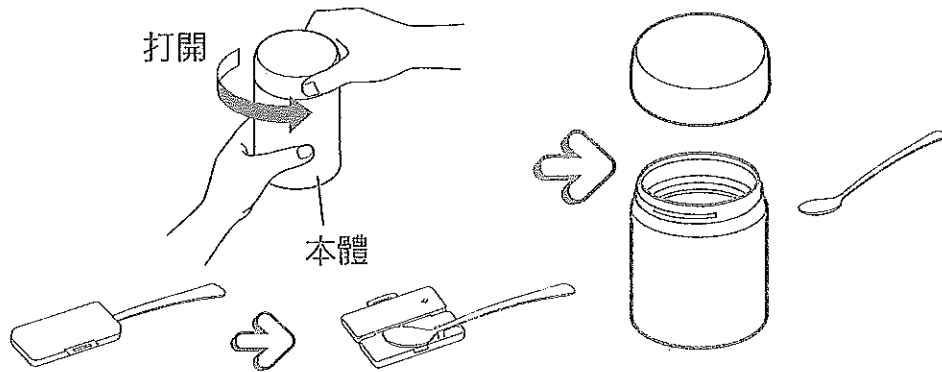
請將本體呈直立狀態蓋緊栓體。

- 請確認栓體是否確實蓋緊。



4

使用本產品時，先從提袋中取出並握緊本體及栓體後，打開栓體。再打開勺盒，取出勺子，享用飲品。



5

飲用完後將本體保持直立狀態，旋緊栓體。將勺子裝入勺盒，勺口部凹面朝上，勺柄需通過勺盒側面凹槽，以卡扣固定，蓋上勺盒。然後將本體和勺盒分別裝入提袋。



請注意

將產品放入提袋內時，請將本體直立放入。
如橫放，有可能造成飲品外漏。

清潔保養的方法

- ◆ 使用後，請務必於當日內清洗。
- ◆ 清潔劑請使用廚房用合成清潔劑(餐盤用、調理器具用)。
- ◆ 請使用海綿、布等柔軟的清洗用具。(為避免產品刮傷造成塗層脫落。)
- ◆ 為避免殘留異味，請經常清洗。

墊圈有異味時

因裝入的內容物不同，墊圈會因而附著異味。

如果會介意異味的話，可購買墊圈或栓體分開使用。

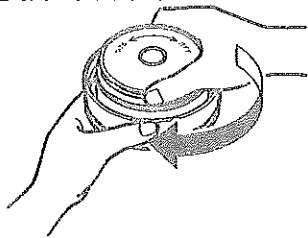
(例如：味噌湯用的栓體或咖哩湯汁用的栓體分開使用)→請參閱封底

請注意

- 本體清洗完畢後，請使用乾布擦拭。
- 請勿放入洗碗機清洗或烘碗機高溫消毒。請勿直接放入熱水中。(為避免造成產品塗層脫落，及本體底部貼片脫落。)

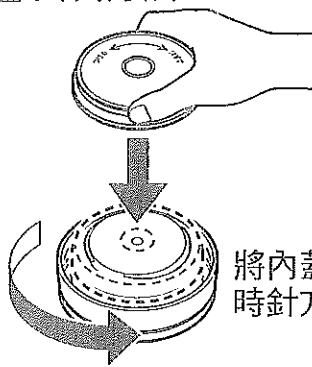
內蓋的拆卸、安裝方法

■ 拆卸方法



從杯蓋將內蓋順時針方向旋轉，輕輕拔起取下。

■ 安裝方法



將內蓋蓋住杯蓋，反時針方向旋轉固定。

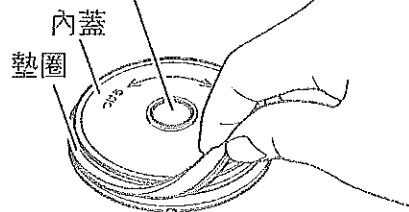
墊圈及內蓋墊片的拆卸、安裝方法

請注意

請正確安裝墊圈及內蓋墊片的位置。避免內容物溢出。

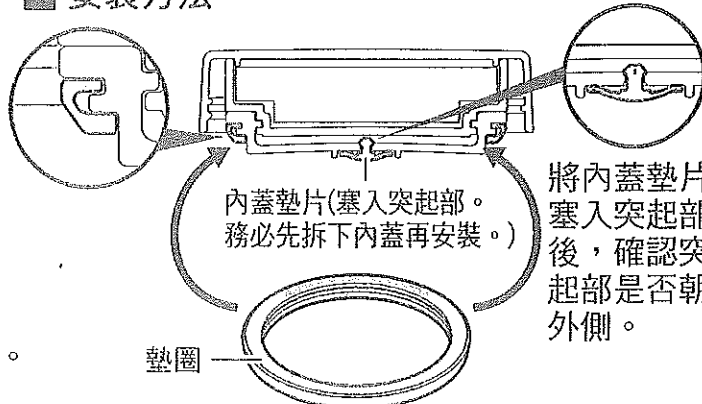
■ 拆卸方法

內蓋墊片
(用手指捏住邊緣取下)



用手指捏住墊圈，慢慢取下。

■ 安裝方法



內蓋墊片(塞入突起部。
務必先拆下內蓋再安裝。)

將內蓋墊片
塞入突起部
後，確認突
起部是否朝
外側。

墊圈

請確認墊圈的安裝位置確實嵌入到裏面。

消耗品更換・洽購

栓體、墊圈、內蓋墊片、湯匙為消耗品。請以一年為基準做確認。

欲購買零件，請洽詢至原購買處或客戶服務中心。

產品諮詢相關

我們對於品質上的管理非常嚴謹，萬一產品上有出現瑕疵時，請洽詢原購買處或虎牌客戶服務中心。

1. 產品名稱 3. 產品狀況(請詳細描述)
2. 型號(標示於本體底部的貼紙上) 4. 購買日

對於產品上有任何問題，歡迎洽詢。

※為了提升功能品質，本書所記載的設計、規格及零件將有可能會不預期的變更。

規格

實際容量	保溫效力	保冷效力
0.50ℓ	83度以上(1小時) 62度以上(6小時)	10度以下(6小時)
0.75ℓ	86度以上(1小時) 70度以上(6小時)	8度以下(6小時)

※保溫效力為以室溫在20度±2度的條件之下，裝滿熱水至栓體下方並呈直放的狀態，從水溫在95度±1度起算置放6小時的水中溫度。

※保冷效力為以室溫在20度±2度的條件之下，裝滿冰水並直放的狀態，從水溫在4度±1度起算置放6小時的水中溫度。

※實際容量為蓋上產品附屬的杯蓋時，實際裝下的容量。



TIGER CORPORATION

Head Office: 3-1 Hayamicho, Kadoma City, Osaka 571-8571, Japan

網址: <http://www.tiger-corporation.tw>

虎記股份有限公司

台南總公司：台南市 702 南區新樂路 63 號

TEL:06-265-5899 FAX:06-264-7707

台北分公司：台北市 100 中正區紹興北街 3 號 2 樓

TEL:02-2397-1179 FAX:02-2397-5737

台中分公司：台中市 402 南區忠明南路 705 號

TEL:04-2375-4627 FAX:04-2375-4502

日本虎牌服務專櫃：請洽全國各大百貨公司虎牌專櫃或

台南總公司, 台北分公司, 台中分公司

免費服務專線：0800-888-572